



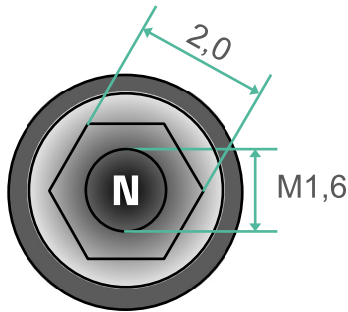
RAM SRL
MEDICAL



IMPLANT 2P

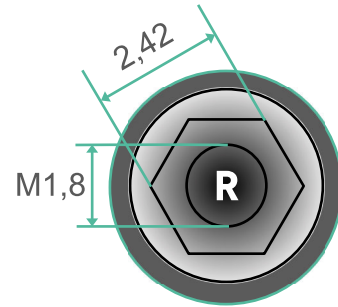
| Implant description |

2P LINE



NARROW CONNECTION

Implant Ø 3,3
Surface treatment SLA
Titanium Gr. 5



REGULAR CONNECTION

Implant Ø 3,75 - 4,25 - 5,0
Surface treatment DAE
Titanium Gr. 4



CORONAL PORTION

- Continuous microspires
- Bone platform shifting

ADVANTAGES

- Increased bone tissue around the implant neck
- Greater surface
- Excellent strain distribution
- Less ridge resorption

IMPLANT CORE STRUCTURE

- Conical structure and core design
- Osteocondensation design

ADVANTAGES

- Gentle on the bone contact
- High primary stability
- High bone condensation
- Allows immediate loads

SPIRE IMPLANT

- Spire with a 2.5mm pitch
- Continuous spire design

ADVANTAGES

- Excellent grip
- Fast and safe bone penetration
- Easy and smooth implant insertion
- Self-drilling properties

APEX

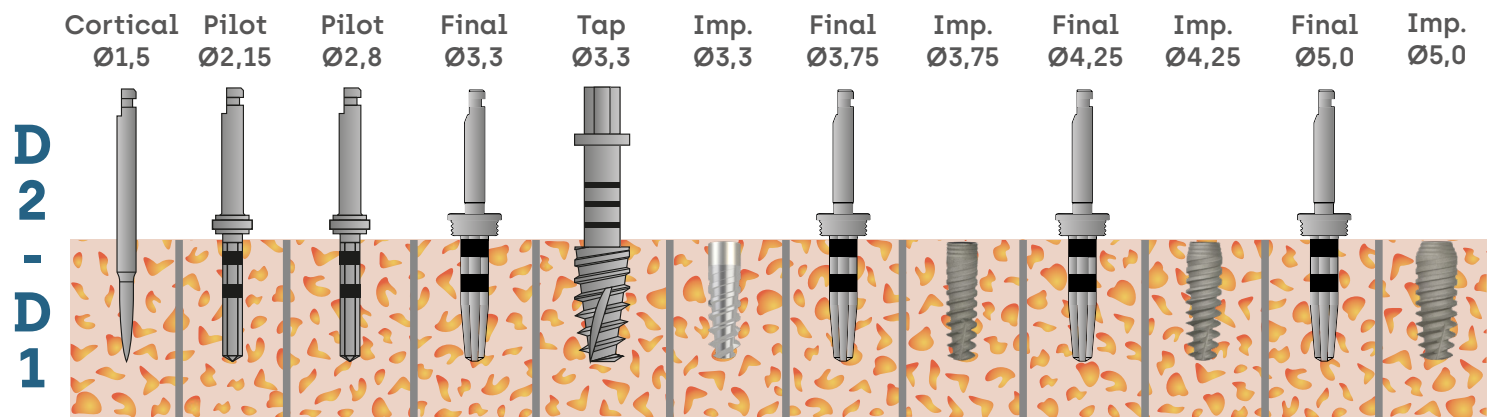
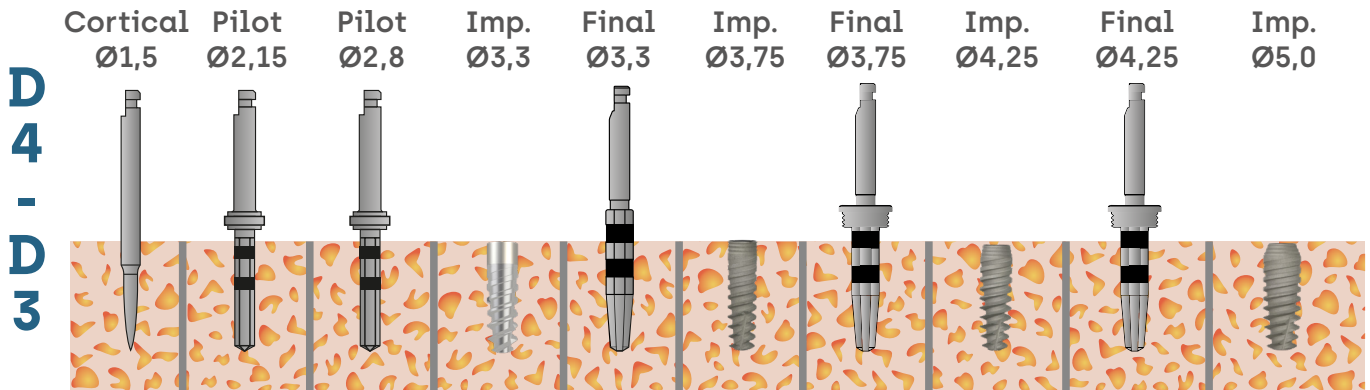
- High cutting performance
- Apex drainage

ADVANTAGES

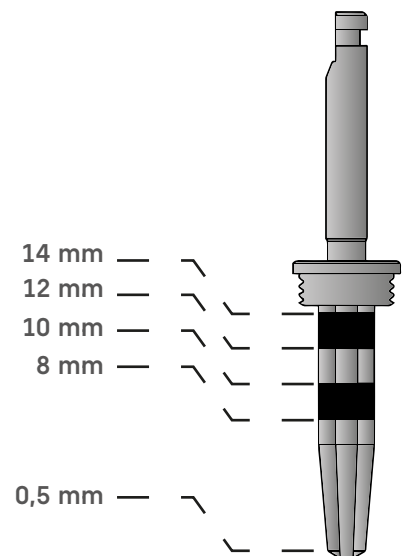
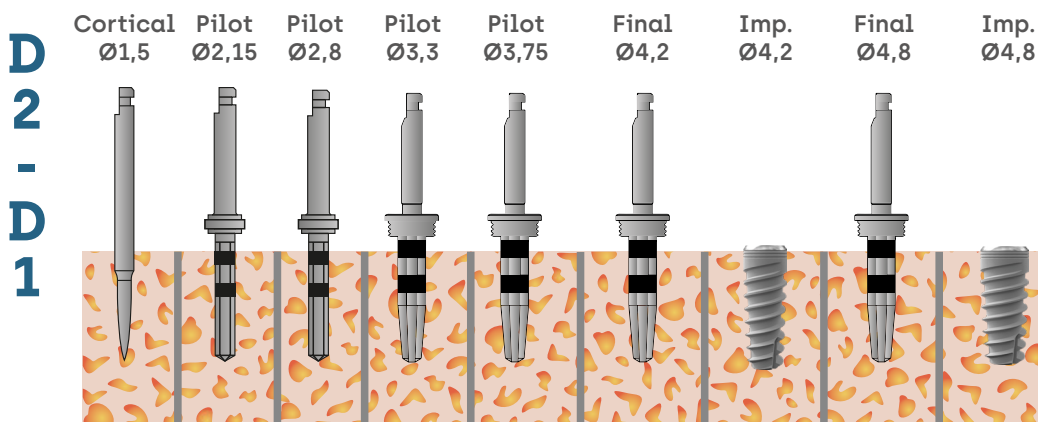
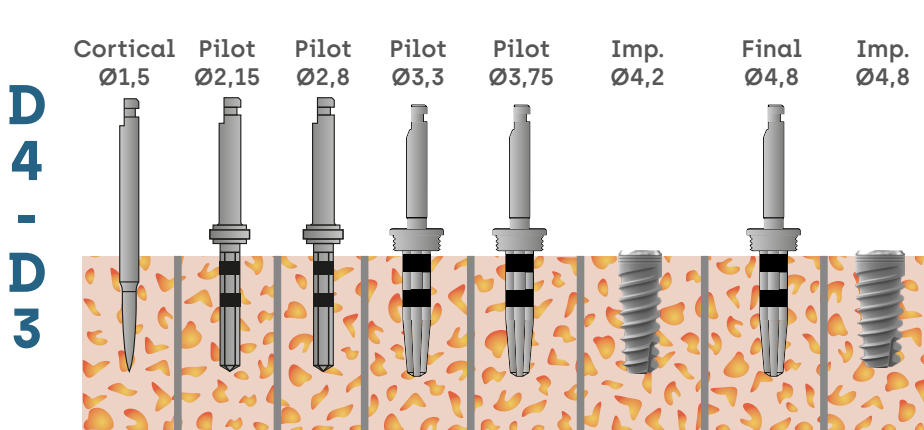
- Sharp and deep spires
- Ability to reduce osteotomy diameter

Surgical protocol

IMPLANTS 2P



PROTOCOL Ø4,2/4,8 SHORT



CATALOGUE PRODUCTS

IMPLANT

Ø3,3 NARROW

I2P330008	Implant 2P Ø 3,3 L 8
I2P330010	Implant 2P Ø 3,3 L 10
I2P330012	Implant 2P Ø 3,3 L 12
I2P330014	Implant 2P Ø 3,3 L 14



Ø3,75 REGULAR

A03-0001	Implant 2P Ø 3,75 L 8
A03-0002	Implant 2P Ø 3,75 L 10
A03-0003	Implant 2P Ø 3,75 L 12
A03-0004	Implant 2P Ø 3,75 L 14



Ø4,25 REGULAR

A03-0005	Implant 2P Ø 4,25 L 8
A03-0006	Implant 2P Ø 4,25 L 10
A03-0007	Implant 2P Ø 4,25 L 12
A03-0008	Implant 2P Ø 4,25 L 14



Ø5,0 REGULAR

A03-0009	Implant 2P Ø 5,0 L 8
A03-0010	Implant 2P Ø 5,0 L 10
A03-0011	Implant 2P Ø 5,0 L 12
A03-0012	Implant 2P Ø 5,0 L 14



Ø4,2 SHORT

GLD-003/6	Implant Ø 4,2 L 6,5
-----------	---------------------



Ø4,8 SHORT

GLD-004/6	Implant SHORT Ø 4,8 L 6,5
-----------	---------------------------



COVER SCREW

NARROW

P2P330VT	Cover screw 2P Ø3,3
----------	---------------------



REGULAR

A03-0013	Cover screw 2P
----------	----------------



HEALING SCREW

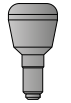
NARROW

P2P330VG-002	Healing screw H2 2P Ø3,3
P2P330VG-003	Healing screw H3 2P Ø3,3
P2P330VG-004	Healing screw H4 2P Ø3,3
P2P330VG-005	Healing screw H5 2P Ø3,3
P2P330VG-006	Healing screw H6 2P Ø3,3



REGULAR

A03-0022	Healing screw H2 2P
A03-0023	Healing screw H3 2P
A03-0024	Healing screw H4 2P
A03-0025	Healing screw H5 2P
A03-0026	Healing screw H6 2P



IMPRESSION COPING

NARROW

P2P330TR-STR	Impression coping O.T. 2P Ø3,3
P2P330TR-PRE	Impression coping C.T. 2P Ø3,3



REGULAR

A03-0029	Impression coping O.T. 2P
A03-0030	Impression coping C.T. 2P



TEMPORARY ABUTMENT

NARROW

P2P330MP-NRO	Temp. abutment engaging 2P Ø3,3
P2P330TR-ROT	Temp. abutment non engaging 2P Ø3,3
P2P330CL-NRO	Wax up engaging 2P Ø3,3
P2P330CL-ROT	Wax up non engaging 2P Ø3,3



REGULAR

A03-0046	Temp. abutment engaging 2P
A03-0045	Temp. abutment non engaging 2P
A03-0027	Wax up engaging 2P
A03-0062	Wax up non engaging 2P



ANALOG

NARROW
P2P330AN

Analog 2P Ø3,3



REGULAR
A03-0028

Analog 2P



STRAIGHT ABUTMENT

NARROW

P2P330MD-001 Straight abutment 2P Ø3,3
 P2P330MD-000 Straight abutment H0 2P Ø3,3
 P2P330MD-015 Straight abutment H1,5 2P Ø3,3*
 P2P330MD-025 Straight abutment H2,5 2P Ø3,3*



REGULAR

A03-0014 Straight abutment 2P
 P2P000MD-000 Straight abutment H0 2P
 P2P000MD-015 Straight abutment H1,5 2P*
 P2P000MD-025 Straight abutment H2,5 2P*



Available in 2024

ANGULATED ABUTMENT

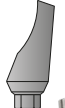
NARROW

P2P330MI-151 Angulated abutment 15° 2P Ø3,3
 P2P330MI-251 Angulated abutment 25° 2P Ø3,3
 P2P330MI-150 A. abutment 15° H0 2P Ø3,3



REGULAR

A03-0015 Angulated abutment 15° 2P
 A03-0016 Angulated abutment 25° 2P
 P2P000MI-150 A. abutment 15° H0 2P



BALL ABUTMENT *

NARROW

P2P330MS-001 Ball abutment H1 2P Ø3,3
 P2P330MS-002 Ball abutment H2 2P Ø3,3
 P2P330MS-003 Ball abutment H3 2P Ø3,3
 P2P330MS-004 Ball abutment H4 2P Ø3,3
 P2P330MS-005 Ball abutment H5 2P Ø3,3



REGULAR

A03-0017 Ball abutment H1 2P
 A03-0018 Ball abutment H2 2P
 A03-0019 Ball abutment H3 2P
 A03-0020 Ball abutment H4 2P
 A03-0021 Ball abutment H5 2P



*Compatible RHEIN 83

SFERATOR

NARROW

P2P330SF-001 Sferator H1 2P Ø3,3
 P2P330SF-002 Sferator H2 2P Ø3,3
 P2P330SF-003 Sferator H3 2P Ø3,3
 P2P330SF-004 Sferator H4 2P Ø3,3
 P2P330SF-005 Sferator H5 2P Ø3,3
 P2P330SF-006 Sferator H6 2P Ø3,3



REGULAR

A03-0052 Sferator H1 2P
 A03-0053 Sferator H2 2P
 A03-0054 Sferator H3 2P
 A03-0055 Sferator H4 2P
 A03-0056 Sferator H5 2P
 A03-0057 Sferator H6 2P

ANGULATED SFERATOR 15°

REGULAR

A03-0058 Sferator 15° H1,5 2P
 A03-0059 Sferator 15° H2,5 2P
 A03-0060 Sferator 15° H3,5 2P



ACCESSORIES SFERATOR

SVLOCNYRO15 Kit locator red 4pz 455gr
 SVLOCNYAZ15 Kit locator blue 4pz 680gr
 SVLOCNYAR2 Kit locator orange 4pz 910gr
 SVLOCNYRS3 Kit locator pink 4pz 1360gr
 SVLOCNYVE4 Kit locator green 4pz 1820gr
 SVLOCNYRTR5 Kit locator white 4pz 2270gr

A00-148 Sferator key
 SVLOCNYNE0 Kit locator black 4pz [only laboratory]
 HE-41918 Kit locator stainless steel 5pz
 PC-CL0001 Set prosthetic



COMPONENTS MUA

NARROW

P2P330MM-001	MUA straight abutment H1 2P Ø3,3
P2P330MM-002	MUA straight abutment H2 2P Ø3,3
P2P330MM-003	MUA straight abutment H3 2P Ø3,3
P2P330MM-004	MUA straight abutment H4 2P Ø3,3
P2P330MP-MUA	Temp. abutment MUA 2P Ø3,3
P2P330TR-MUA	Impression coping O.T. MUA 2P Ø3,3
P2P330CL-MUA	MUA wax up 2P Ø3,3
P2P330AN-MUA	MUA analog 2P Ø3,3
P2P330VG-MUA	MUA healing cap 2P Ø3,3



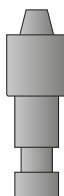
REGULAR

A03-0033	MUA straight abutment H1 2P
A03-0049	MUA straight abutment H2 2P
A03-0034	MUA straight abutment H3 2P
A03-0050	MUA straight abutment H4 2P
A03-0035	MUA angled abutment 17° H2 2P
A03-0047	MUA angled abutment 17° H4 2P
A03-0036	MUA angled abutment 30° H2 2P
A03-0048	MUA angled abutment 30° H4 2P
A03-0040	Temp. abutment MUA 2P
A03-0044	Impression coping O.T. 2P
A03-0041	MUA wax up 2P
A03-0043	MUA analog 2P
A03-0042	MUA healing cap 2P



DIGITAL MUA

DMUA000SB	Scan Body MUA 2P
DMUA000TB	T-Base MUA 2P
DMUA000AN	Analog digital MUA 2P



DIGITAL

NARROW

D2P330TB-0RT	T-Base not engaging H0,5 2P ø3,3
D2P330TB-1RT	T-Base not engaging H1,5 2P ø3,3
D2P330TB-2RT	T-Base not engaging H2,5 2P ø3,3
D2P330TB-0NR	T-Base engaging H0,5 2P ø3,3
D2P330TB-1NR	T-Base engaging H1,5 2P ø3,3
D2P330TB-2NR	T-Base engaging H2,5 2P ø3,3
D2P330SB	Scan body 2P ø3,3
D2P330AN	Analog digital 2P ø3,3



REGULAR

D2P000TB-0RT	T-Base not engaging H0,5 2P
D2P000TN-1RT	T-Base not engaging H1,5 2P
D2P000TN-2RT	T-Base not engaging H2,5 2P
D2P000TN-0NR	T-Base engaging H0,5 2P
D2P000TN-1NR	T-Base engaging H1,5 2P
D2P000TN-2NR	T-Base engaging H2,5 2P
D2P000SB	Scan body 2P
D2P000AN	Analog digital 2P



ABUTMENT SCREW

NARROW

P2P330VU	Abutment screw M1,6 2P ø3,3
P2P330VU-MUA	Abutment screw MUA M1,6 2P ø3,3



REGULAR

A03-0031	Abutment screw M1,8 2P
A03-0037	Abutment screw MUA M1,8 2P
A03-0038	Temporary screw MUA M1,4 2P



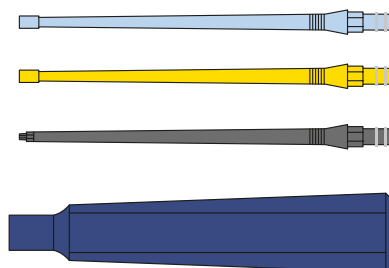
Torque recommended : M1,6 = 25 Ncm

M1,4 = 10 Ncm

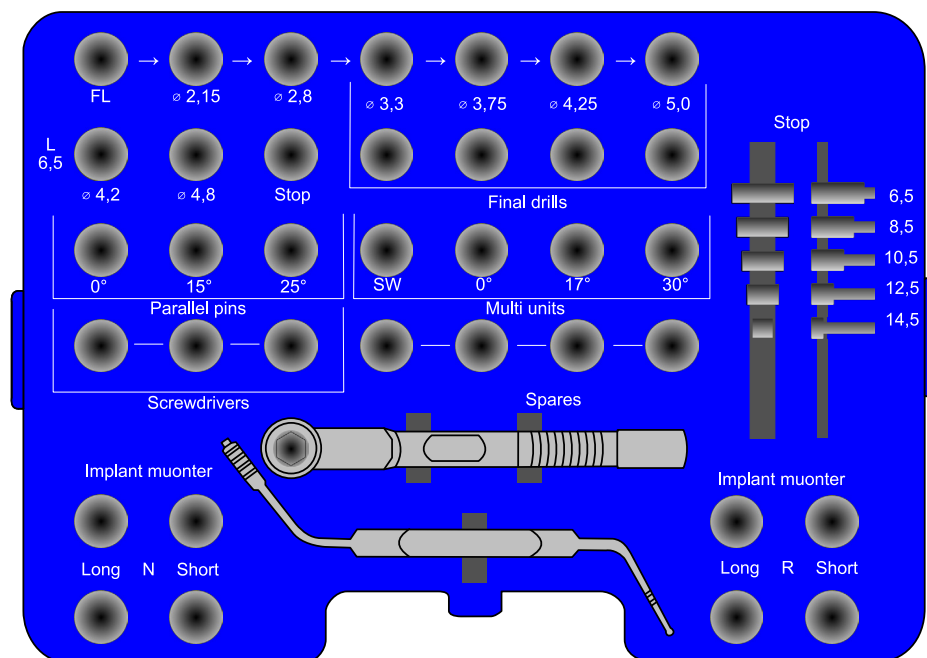
M1,8 = 30 Ncm

INSTRUMENTS

A00-126	Transformer driver HEX 1,25/2,41
A00-125	Transformer driver HEX 2,41
A00-124	Transformer driver HEX 3
A00-127	Transformer manual
A00-117	Accessory ratchet RAM
A00-102	Counter angle extractor RAM
A00-101	Adapter counter angle for key RAM
A00-145	Universal driver manual short
A00-144	Universal driver manual long
ST00256	Universal driver
S2P330MS	Tapper 2P Ø3,3



SURGICAL KIT



CONTENT

ALM	Cortical drill medium	A03-0065	Parallelism pin 15°
A00215M	Pilot drill Ø2,15	A03-0066	Parallelism pin 25°
A0028	Pilot drill Ø2,8	AIP-1	Drill extender
S2P330FR	Final drill long Ø3,3	S2P000PN-000	Parallelism pin straight
S2P330FR-S	Final drill short with stop Ø3,3	S2P000PN-017	Parallelism pin 17°
A0038	Final drill long Ø3,75	S2P000PN-030	Parallelism pin 30°
A0038-S	Final drill short with stop Ø3,75	CDM-12	Ratchet dynamometric
A0042	Final drill long Ø4,25	S2P000PR	Depthmeter
A0042-S	Final drill short with stop Ø4,25	ST00332	Screwdriver ESA 1,25
A0050	Final drill long Ø5,0	S2P330IN-LUN	Implant mounter long Ø3,3 2P Narrow
A0050-S	Final drill short with stop Ø5,0	S2P330IN-COR	Implant mounter short Ø3,3 2P Narrow
ES-FRS43	Final drill Ø4,2 SHORT	S2P330IN-MNC	Driver short Ø3,3 2P Narrow
ES-FRS48	Final drill Ø4,8 SHORT	S2P330IN-MNL	Driver long Ø3,3 2P Narrow
S2P000ST-006	Final drill stop L 6,5	S2P000IN-LUN	Implant mounter long 2P Regular
S2P000ST-008	Final drill stop L 8,5	S2P000IN-COR	Implant mounter short 2P Regular
S2P000ST-010	Final drill stop L 10,5	S2P000IN-MNC	Driver short 2P Regular
S2P000ST-012	Final drill stop L 12,5	S2P000IN-MNL	Driver long 2P Regular
S2P000ST-014	Final drill stop L 14,5		
S2P215ST-006	Pilot drill stop L 6,5		
S2P215ST-008	Pilot drill stop L 8,5		
S2P215ST-010	Pilot drill stop L 10,5		
S2P215ST-012	Pilot drill stop L 12,5		
S2P215ST-014	Pilot drill stop L 14,5		



RAM SRL MEDICAL

RAM MEDICAL
56033 - CAPANNOLI (PI)
ITALY

MADE IN ITALY



info@rammedical.it

www.rammedical.it